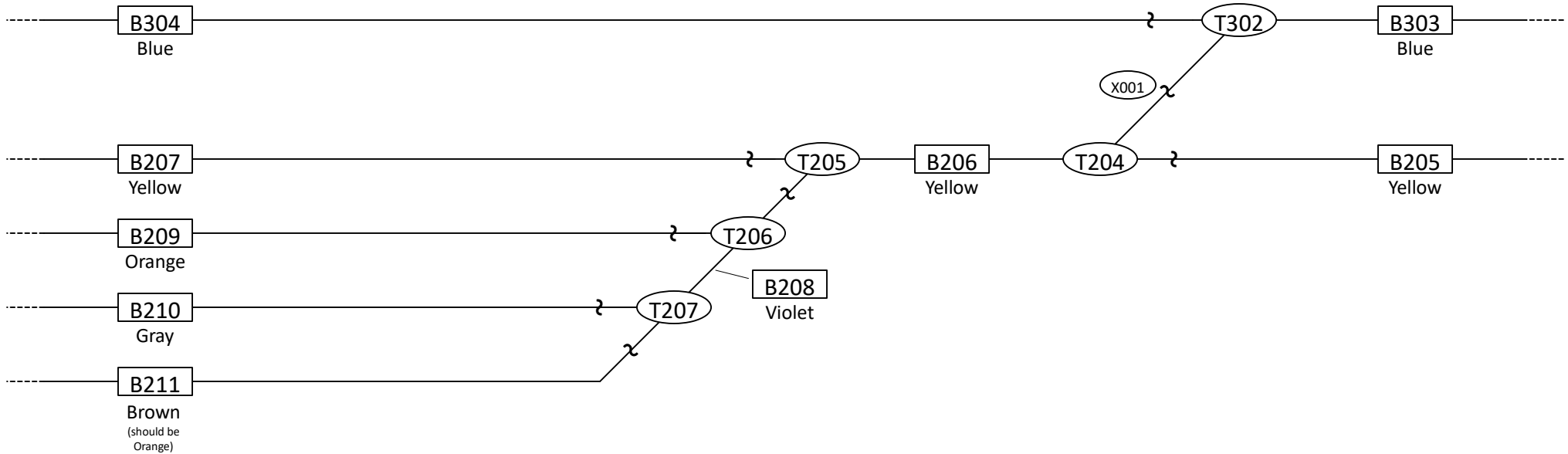


# Hornell Model Railroad Club -Depot Layout

## Panel A Numbering and Wire Colors

W ← → E



T302	LH turnout	switch machine under end	use wiring method B
T204	LH turnout	switch machine under end	use wiring method B
T205	LH turnout	switch machine under body	use wiring method A
T206	RH turnout	switch machine under end	use wiring method A
T207	RH turnout	switch machine under end	use wiring method A